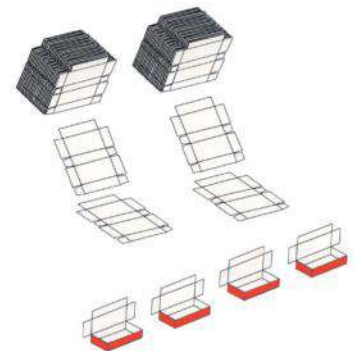


TRAY AND CARTON ERECTOR F60-2



- COMPACT
- SPEED UP TO 2 x 50 STROKES PER MINUTE
- DOUBLE HEADED
- EASY TO USE AND MAINTAIN
- EASY AND QUICK SIZE CHANGE OVER
- SUITABLE FOR DUPLEX AND CORRUGATED BOARD



SCHUT SYSTEMS bv

Loubergweg 22
NL 6961 EK Eerbeek

T +31 (0)313 674 500
F +31 (0)313 674 550
E info@schutsystems.com

Food Automation Pty Ltd
PO Box 3242 Newton
South Australia 5074
T: +61 427 565 658
E: chris@foodautomation.com.au
W: www.foodautomation.com.au

schutsystems.com



TRAY AND CARTON ERECTOR F60-2

The **tray and carton erecting machine F60-2** is a very compact mechanically operated machine, built for 24-hours operation. The carton blanks are formed by using a mechanical locking instead of glue.

A strong characteristic of the F60-2 is the special speed regulation that can be set in stages. This is an advantage when using different carton sizes or different types of board. Change over to another size is easy and quick.

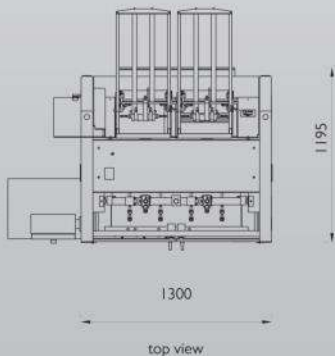
The F60-2 can operate as a stand alone machine as well as in a packaging line in combination with for example the S800 or S1000 carton closing machine. It's an extremely flexible machine in stainless steel execution that can easily be adapted to your demands.

Photo above

The carton magazine is driven and has a low level indicator.

Photo left

The operator panel



Speed

Up to 2 x 50 strokes p/min.
(Question to carton size and carton construction)

Supply voltage

400V, 3 phase, Pe + neutral

Control voltage

24V DC

Power demand

2,5 kW

Directive

Low Voltage (LVD) (2014/35/EC)
EMC Directive (2014/30/EC)
Machinery Directive (MD) (2006/42/EC)

Compressed air

6 bar dry and filtered

Air consumption

300 NI/min at 6 bar

Machine size

1300 x 1195 x 2210 mm

Weight

800 kg

Optional

Blow unit
Outfeed belt conveyor
Queue control
Discharge control photocell
Right or left outfeed of cartons
One head or triple head execution
Wide body

Other options on request