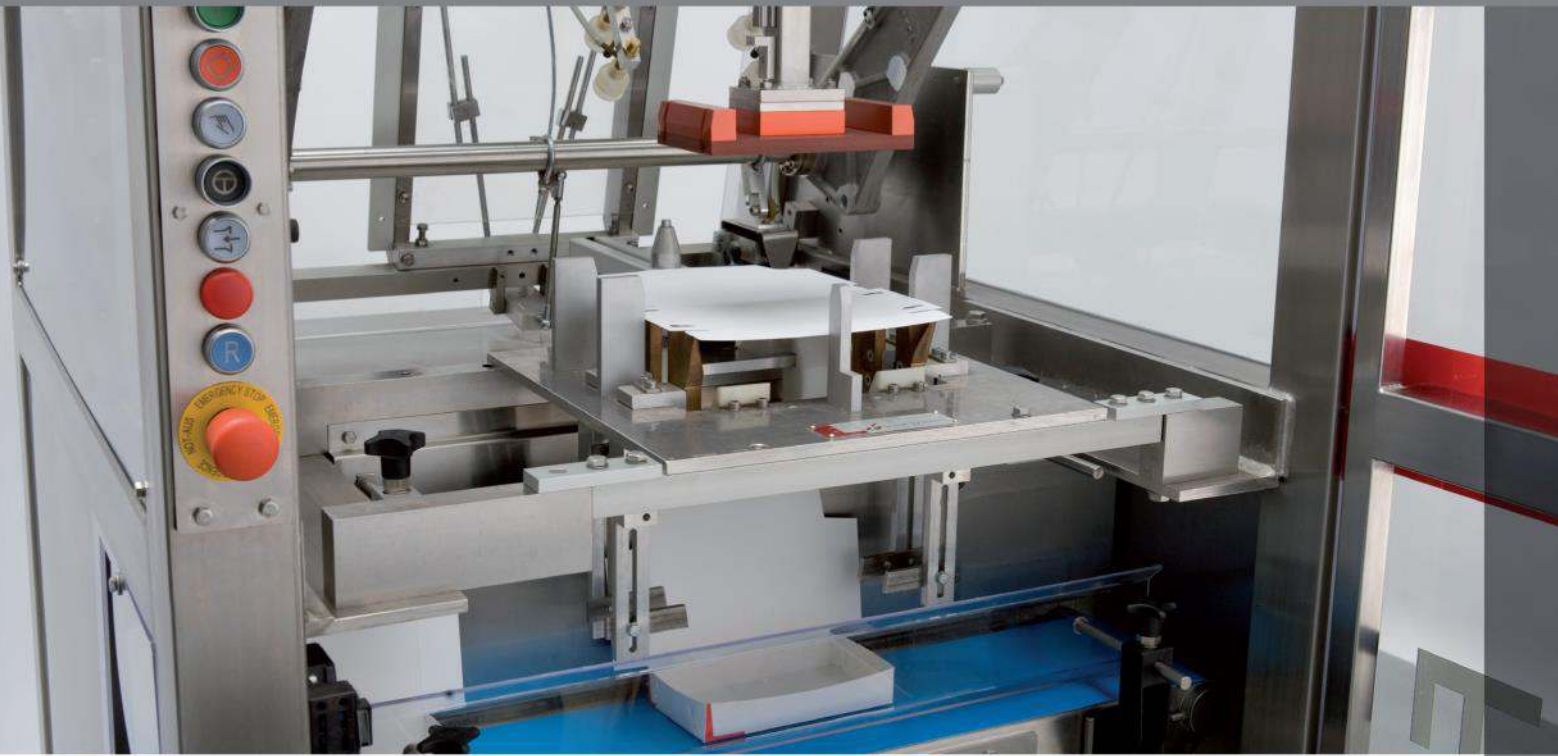
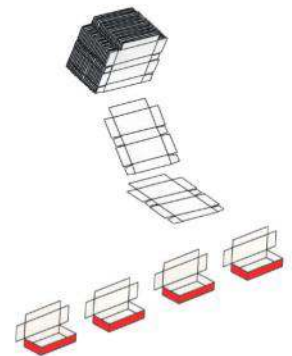


# TRAY AND CARTON ERECTOR F30



- COMPACT
- SPEED UP TO 35 CARTONS PER MINUTE
- EASY TO USE AND MAINTAIN
- EASY AND QUICK SIZE CHANGE OVER
- SUITABLE FOR DUPLEX AND CORRUGATED BOARD



**Food Automation**  
ENGINEERED FOR EXCELLENCE IN MACHINERY

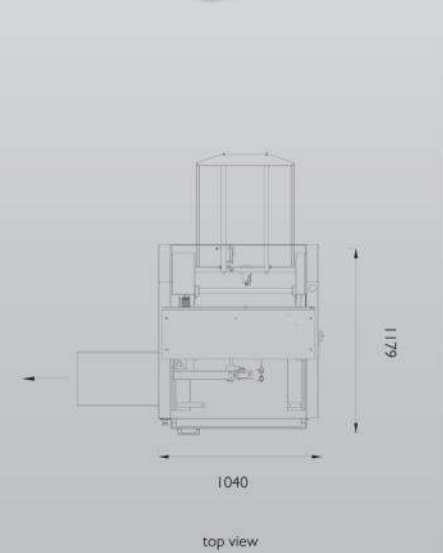
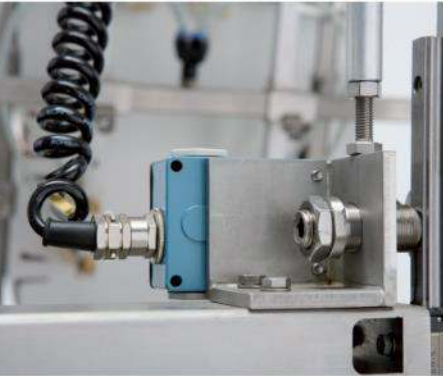
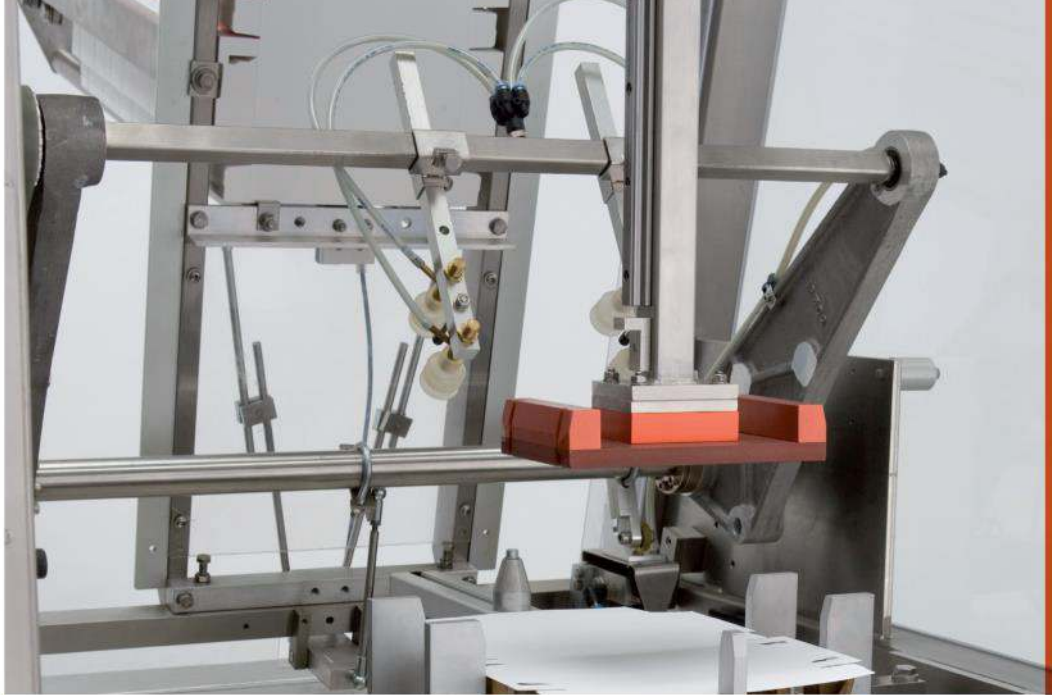
## SCHUT SYSTEMS bv

Loubergweg 22  
NL 6961 EK Eerbeek

T +31 (0)313 674 500  
F +31 (0)313 674 550  
E info@schutsystems.com

Food Automation Pty Ltd  
PO Box 3242 Newton  
South Australia 5074  
T: +61 427 565 658  
E: chris@foodautomation.com.au  
W: www.foodautomation.com.au

schutsystems.com



## TRAY AND CARTON ERECTOR F30

The **tray and carton erecting machine F30** forms carton blanks by using a mechanical locking instead of glue. It's a very compact mechanically operated machine. Care has been taken regarding reliability, easy access for operators, maintenance and service. The electrical cabinet is integrated in the machine. The machine is in stainless steel execution and built for 24hours operation.

The F30 can operate as a stand alone machine as well as in a packaging line in combination with for example the C30 carton closing machine. It is an extremely flexible machine that can easily be adapted to your demands.

*Photo above*

*The tools are easy accessible and quickly changeable. Changeover time approx. 5 minutes*

*Photo left above*

*The plunger is secured*

### TECHNICAL CHARACTERISTICS

<b>Speed</b>	Up to 35 cartons p/min. (Question to carton size and carton construction)
<b>Supply voltage</b>	400V, 3 phase Pe and neutral, 50 Hz
<b>Control voltage</b>	24V DC
<b>Power demand</b>	2,1 kW
<b>Directive</b>	Low Voltage (LVD) (2014/35/EC) EMC Directive (2014/30/EC) Machinery Directive (MD) (2006/42/EC)
<b>Machine size</b>	1032 x 1179/1235 x 2385 mm
<b>Weight</b>	800 kg
<b>Optional</b>	Queue control Right or left outfeed of cartons Outfeed belt conveyor Blow unit Discharge control photocell

Other options on request