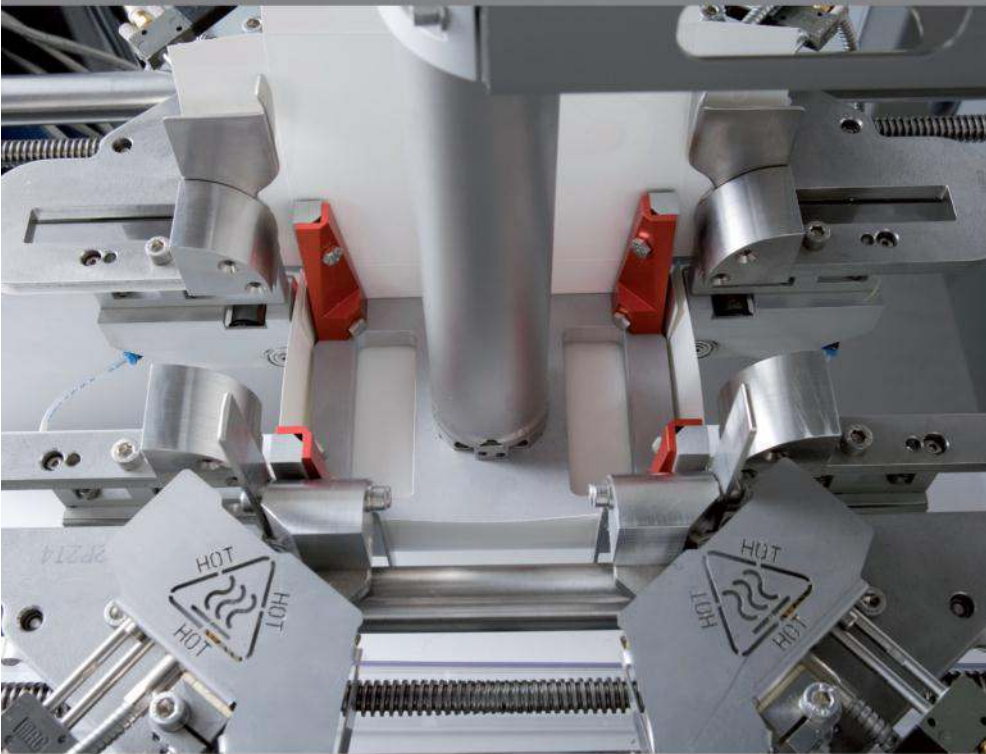
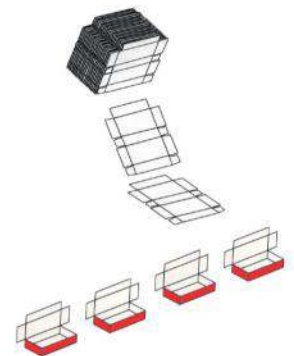


CARTON AND TRAY ERECTOR F III



- WIDE VARIETY OF SHAPES AND SIZES
- SPEED UP TO 50 CARTONS PER MINUTE
- MOTOR IN TOP OF THE MACHINE
- EASY AND QUICK SIZE CHANGE OVERS
- QUIET OPERATION



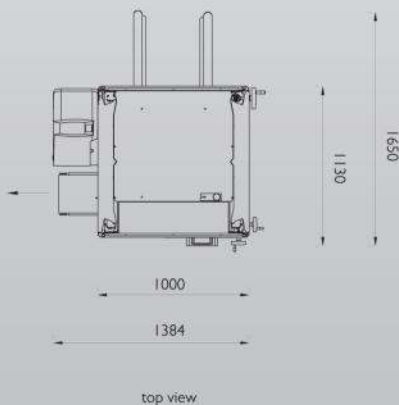
SCHUT SYSTEMS bv

Loubergweg 22
NL 6961 EK Eerbeek

T +31 (0)313 674 500
F +31 (0)313 674 550
E info@schutsystems.com

Food Automation Pty Ltd
PO Box 3242 Newton
South Australia 5074
T: +61 427 565 658
E: chris@foodautomation.com.au
W: www.foodautomation.com.au

schutsystems.com



CARTON AND TRAY ERECTING MACHINE F I I I

The **F I I I carton and tray erecting machine** forms cartons by using glue. It's a mechanically driven, flexible machine that operates on both carton board and corrugated board. The F I I I can operate as a stand alone machine as well as in a packaging line.

Photo 1 and 2

The carton sizes are quickly, within 3 minutes, changeable by handwheels and quick disconnects.

Photo 3

The carton magazine is at ergonomic height.

Photo 4

Also special carton constructions, like conic shaped, or frame wall cartons can be formed.*

Photo 5

The motor is built up in the machine, which allows you to have a clear overlook in the machine.

TECHNICAL CHARACTERISTICS

Operating speed	Up to 50 cartons per minute, adjustable speed (Question to carton size and construction)
Supply voltage	400V, 3 phase, neutral + earth
Control Voltage	24V DC
Power demand	8 kW
Compressed air	6 bar dry and filtered
Air demand	50 NI/min at 6 bar
Directive	Low Voltage (LVD) (2006/95/EC) EMC Directive (2004/108/EC) Machinery Directive (MD) (2006/42/EC)
Machine sizes	1000 x 1000/1400 x 2385 mm
Weight	800 kg
Optional	Empty magazine indicator Queue control Double head execution Infeed carton control Coding unit Right or left outfeed of cartons Outfeed conveyer * Frame wall execution (without glue unit) speed up to 30 cartons per minute

Other options on request